

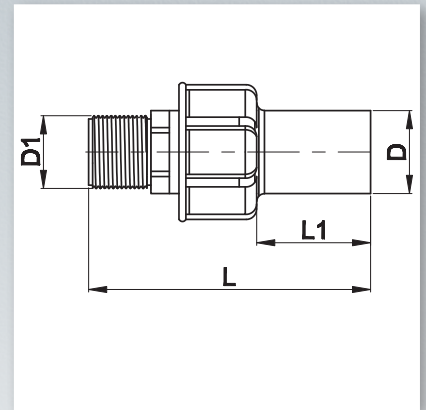
Transition Fitting Male/Female

- PE to Brass

PE100 | SDR 11 | Water PN 16 | Gas 10 Bar | Male

DxD1 (mm)	L (mm)	L1 (mm)	Weight (kg)	Box Quantity
20x1/2"	92	38	0.22	50
25x3/4"	99	40	0.25	50
32x1"	110	44	0.45	30
40x1 1/4"	121	49	0.40	15
50x1 1/2"	134	54	0.40	10
63x2"	150	63	0.50	6
75x2 1/2"	165	73	0.80	15
90x3"	181	82	1.00	10
110x4"	194	84	1.60	2
125x4"	200	90	2.00	2

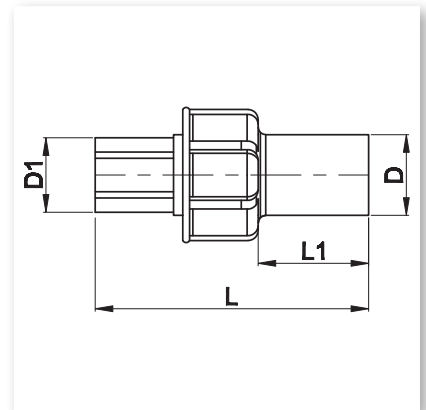
Product also available with steel outlet



PE100 | SDR 11 | Water PN 16 | Gas 10 Bar | Female

DxD1 (mm)	L (mm)	L1 (mm)	Weight (kg)	Box Quantity
20x1/2"	82	38	0.22	50
25x3/4"	91	40	0.25	50
32x1"	100	44	0.45	30
40x1 1/4"	109	49	0.40	15
50x1 1/2"	124	54	0.40	10
63x2"	141	63	0.50	6
75x2 1/2"	163	73	0.80	15
90x3"	181	82	1.00	10
110x4"	190	84	1.60	2
125x4"	195	90	2.00	2

Product also available with steel outlet



Every effort has been made to ensure the information in this brochure is correct at the date of issue. Fusion operates a policy of continuous product improvement and range extension and, therefore, reserves the right to modify product specifications in line with market requirements.