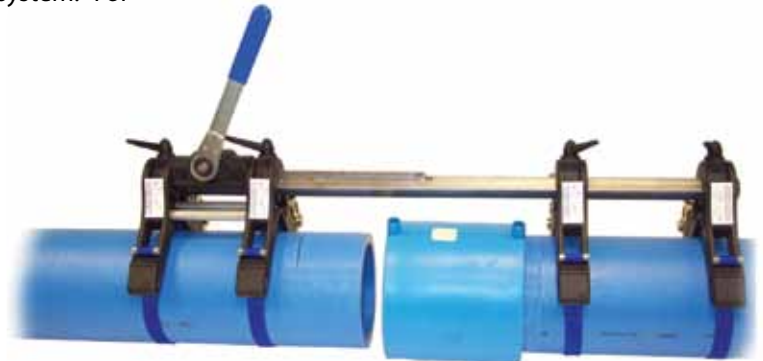


TITAN 200 (STRAP CLAMP 40-200MM)

Pulls lengths of pipe into position with minimal effort on the part of the operator using a simple but ingenious ratchet system. For use on pipe ranging from 40-200mm diameter.

FEATURES

- Ratchet handle included
- Lightweight
- Fast acting 'tug and tension' straps
- Works in all positions around the joint
- Compact design
- No liners required
- Ideal for use with Ping seal socket fittings
- National Grid approved



SPECIFICATIONS

Product Code	Description	Range	Weight
SC200T	Straight ratchet runner bar with 4 clamps	40-200mm	6.5kg

TITAN 500 (STRAP CLAMP 160-500MM)

The Strap Clamp Titan is the 'Daddy' of the range. It is capable of pulling 12m lengths of pipe into position with minimal effort on the part of the operator using a simple but ingenious ratchet system.

FEATURES

- Ratchet handle included
- Fast acting 'tug and tension' straps
- Works in all positions around the joint
- Compact design
- No liners required
- National Grid approved



SPECIFICATIONS

Product Code	Description	Range	Weight
SC500T	Straight ratchet runner bar with 4 clamps	160-500mm	20kg

STRAP CLAMP 200 KNUCKLE

(STRAP CLAMP KNUCKLE 40-200mm)

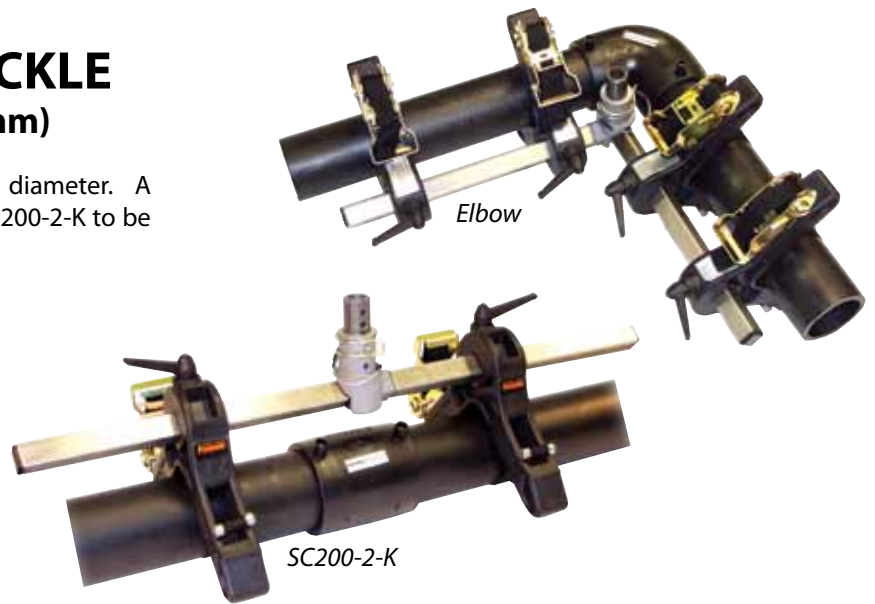
For use on pipe ranging from 40mm to 200mm diameter. A centrally located adjustable 'knuckle' allows the SC200-2-K to be used for elbows and reducers as well as couplers.

FEATURES

- Lightweight
- Fast acting 'tug and tension' straps
- Works above, below or alongside the joint
- Compact design
- No liners required

SPECIFICATIONS

Product Code	Description	Range	Weight
SC200-2-K	Knuckle bar with 2 clamps	40-200mm	2.7Kg
SC200-2-K-4	Knuckle bar with 4 clamps	40-200mm	4.6Kg



Reducer



SC200-2-K-4

T-ADAPTOR

A smart add-on tool allowing Strap Clamps to be used for clamping tees. The T-Adaptor can be used on pipe ranging from 40mm to 200mm.

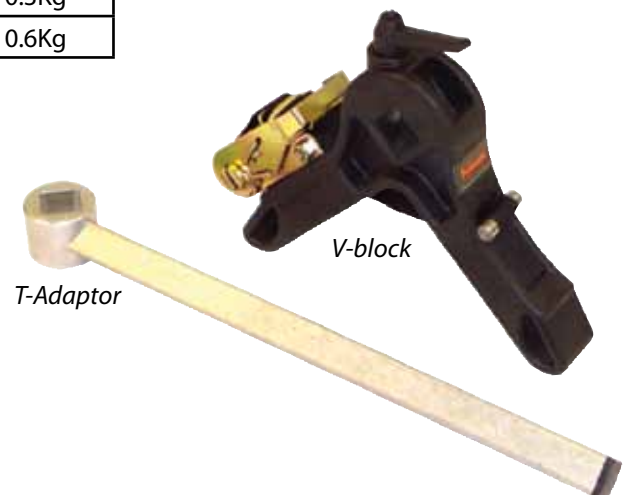
To use the T-Adaptor a further V-block clamp needs to be purchased.

SPECIFICATIONS

Product Code	Description	Range	Weight
SC200ADT	Strap clamp T-Adaptor	40-200mm	0.3Kg
34989	V block clamp assembly	40-200mm	0.6Kg



SC200-2-K with T-Adaptor



T-Adaptor

V-block

STRAP CLAMP 200 STRAIGHT (STRAP CLAMPS STRAIGHT 40-200MM)

For use on pipe ranging from 40mm to 200mm diameter

FEATURES

- Lightweight
- Fast acting 'tug and tension' straps
- Works above, below or alongside the joint
- Compact design
- No liners required
- National Grid approved



SPECIFICATIONS

Product Code	Description	Range	Weight
SC200-2-S	Straight runner bar with 2 clamps	40-200mm	2.5kg
SC200-2-S-4	Straight runner bar with 4 clamps	40-200mm	4.6kg

Note: To use the Strap Clamp 200 Straight to clamp tees, a T-Adaptor is required - see previous page for details

STRAP CLAMP 500 STRAIGHT (STRAP CLAMPS STRAIGHT 160-500MM)

Accommodating pipes between 160 and 500mm, the SC500 is the SC200's big brother. National Grid approved.



SPECIFICATIONS

Product Code	Description	Range	Weight
SC500	Plain runner bar with 2 clamps	160-500mm	8kg
12799	V-block clamp assembly	160-500mm	1.5kg