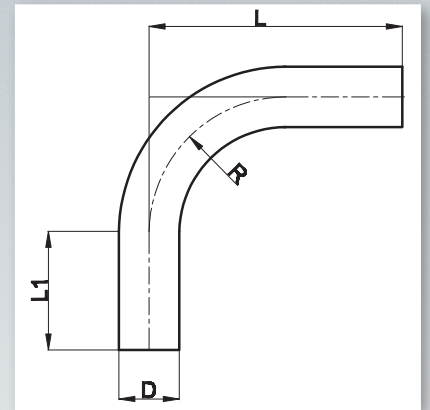


Seamless Bend 90°



PE100 | SDR 11 | Water PN 16 | Gas 10 Bar

D (mm)	L1 (mm)	R (mm)	L (mm)	Weight (kg)	Box Quantity
50	123	75	250	0.30	1
63	123	95	270	0.50	1
75	131	113	300	0.80	1
90	116	135	300	1.20	1
110	151	165	380	2.30	1
125	163	188	420	3.00	1
140	168	210	450	5.10	1
160	196	240	520	7.30	1
180	217	270	580	10.10	1
200	224	300	620	12.60	1
225	254	338	700	18.60	1
250	242	375	720	24.30	1
280	238	420	760	30.60	1
315	334	473	950	51.80	1
355	397	533	1100	72.10	1
400	420	600	1200	95.60	1
450	315	900	1350	158.10	1
500	385	1000	1550	227.80	1
560	546	1120	1900	285.20	1
630	588	1260	2100	361.20	1
710	570	1440	2200	499.70	1
800	480	1600	2200	608.00	1



PE100 | SDR 17 | Water PN 10 | Gas 6 Bar

D (mm)	L1 (mm)	R (mm)	L (mm)	Weight (kg)	Box Quantity
50	123	75	250	0.20	1
63	123	95	270	0.40	1
75	131	113	300	0.60	1
90	116	135	300	0.80	1
110	151	165	380	1.60	1
125	163	188	420	2.00	1
140	168	210	450	3.40	1
160	196	240	520	5.00	1
180	217	270	580	6.90	1
200	224	300	620	8.50	1
225	254	338	700	12.60	1
250	242	375	720	16.50	1
280	238	420	760	20.80	1
315	334	473	950	35.20	1
355	397	533	1100	49.00	1
400	420	600	1200	64.80	1
450	315	900	1350	104.10	1
500	385	1000	1550	154.70	1
560	546	1120	1900	193.50	1
630	588	1260	2100	245.00	1
710	570	1440	2200	355.60	1
800	480	1600	2200	429.40	1
900	770	1800	2500	566.98	1

Every effort has been made to ensure the information in this brochure is correct at the date of issue. Fusion operates a policy of continuous product improvement and range extension and, therefore, reserves the right to modify product specifications in line with market requirements.