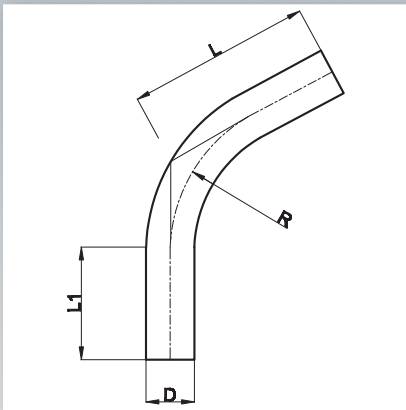


# Seamless Bend 60°



## PE100 | SDR 11 | Water PN 16 | Gas 10 Bar

D (mm)	L1 (mm)	R (mm)	L (mm)	Weight (kg)	Box Quantity
50	110	75	200	0.30	1
63	116	95	220	0.50	1
75	123	113	240	0.80	1
90	1273	135	260	1.20	1
110	150	165	280	2.00	1
125	150	188	300	2.80	1
140	195	210	400	4.60	1
160	204	240	430	6.70	1
180	206	270	450	8.40	1
200	229	300	500	12.60	1
225	249	338	550	15.90	1
250	268	375	600	22.60	1
280	271	420	630	28.50	1
315	390	473	830	44.00	1
355	415	533	900	59.00	1
400	458	600	1000	83.20	1
450	417	900	1115	131.70	1
500	506	1000	1300	195.30	1
560	562	1120	1450	244.50	1
630	611	1260	1600	361.20	1
710	570	1440	1700	499.70	1
800	480	1600	1700	608.00	1

## PE100 | SDR 17 | Water PN 10 | Gas 6 Bar

D (mm)	L1 (mm)	R (mm)	L (mm)	Weight (kg)	Box Quantity
50	110	75	200	0.20	1
63	116	95	220	0.30	1
75	123	113	240	0.50	1
90	1273	135	260	0.80	1
110	150	165	280	1.40	1
125	150	188	300	1.90	1
140	195	210	400	3.10	1
160	204	240	430	4.50	1
180	206	270	450	5.70	1
200	229	300	500	8.50	1
225	249	338	550	10.80	1
250	268	375	600	15.40	1
280	271	420	630	19.40	1
315	390	473	830	29.90	1
355	415	533	900	40.10	1
400	458	600	1000	56.40	1
450	417	900	1115	86.70	1
500	506	1000	1300	132.60	1
560	562	1120	1450	165.90	1
630	611	1260	1600	245.00	1
710	570	1440	1700	355.60	1
800	480	1600	1700	429.40	1
900	960	1800	2000	510.53	1

Every effort has been made to ensure the information in this brochure is correct at the date of issue. Fusion operates a policy of continuous product improvement and range extension and, therefore, reserves the right to modify product specifications in line with market requirements.