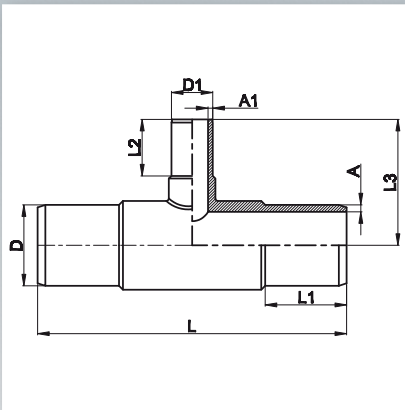


Reducing Tee



PE100 | SDR 11 | Water PN 16 | Gas 10 Bar

D - D1 (mm)	L (mm)	L1 (mm)	L2 (mm)	L3 (mm)	A (mm)	A1 (mm)	Weight (kg)	Box Quantity
50-25	222	55	41	85	5.8	3.0	0.185	32
50-32	222	55	44	92	5.8	3.0	0.192	32
50-40	222	55	49	98	5.8	3.7	0.198	32
63-32	239	63	44	98	5.8	3.0	0.305	36
63-40	239	63	49	104	5.8	3.7	0.312	36
63-50	239	63	55	111	5.8	4.6	0.330	36
75-32	273	70	44	105	6.8	3.0	0.460	22
75-40	273	70	49	111	6.8	3.7	0.465	22
75-50	273	70	55	118	6.8	4.6	0.480	22
75-63	273	70	63	126	6.8	5.8	0.500	22
90-50	301	79	55	129	8.2	4.6	0.755	14
90-63	301	79	63	137	8.2	5.8	0.785	14
90-75	301	79	70	144	8.2	6.8	0.840	14
110-50	337	82	55	152	10.0	4.6	1.275	14
110-63	337	82	63	154	10.0	5.8	1.330	14
110-75	337	82	70	160	10.0	6.8	1.380	14
110-90	337	82	79	167	10.0	8.2	1.420	14
125-90	367	87	79	177	11.4	8.2	1.950	8
125-110	367	87	82	181	11.4	10.0	2.080	8
140-90	384	92	79	180	12.7	8.2	2.380	6
140-110	384	92	82	185	12.7	10.0	2.490	6
140-125	384	92	87	190	12.7	11.4	2.630	6
160-63	428	98	63	181	14.6	5.8	3.385	5
160-75	428	98	70	188	14.6	6.8	3.435	5
160-90	428	98	79	197	14.6	8.2	3.480	5
160-110	428	98	82	201	14.6	10.0	3.620	4
160-125	428	98	87	206	14.6	11.4	3.710	4
180-90	472	105	79	212	16.4	8.2	4.860	3
180-110	472	105	82	216	16.4	10.0	4.930	3
180-125	472	105	87	221	16.4	11.4	5.100	3
180-160	472	105	98	232	16.4	14.6	5.360	3
200-63	488	112	63	197	18.2	5.8	6.150	3
200-90	488	112	79	213	18.2	8.2	6.200	3
200-110	488	112	82	217	18.2	10.0	6.350	3
200-125	488	112	87	232	18.2	11.4	6.500	3
200-160	488	112	98	233	18.2	14.6	6.760	3
225-90	534	120	79	229	20.5	8.2	8.600	2
225-110	534	120	82	233	20.5	10.0	8.800	2
225-125	534	120	87	246	20.5	11.4	8.950	2
225-160	534	120	98	249	20.5	14.6	9.070	2
225-180	559	130	108	284	20.5	16.4	10.870	1
250-90	597	129	79	250	22.7	8.2	11.460	2
250-110	597	129	82	254	22.7	10.0	11.600	2

Every effort has been made to ensure the information in this brochure is correct at the date of issue. Fusion operates a policy of continuous product improvement and range extension and, therefore, reserves the right to modify product specifications in line with market requirements.

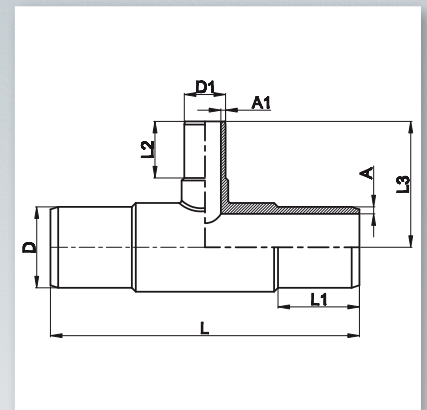
continued on next page.....

Reducing Tee



PE100 | SDR 11 | Water PN 16 | Gas 10 Bar

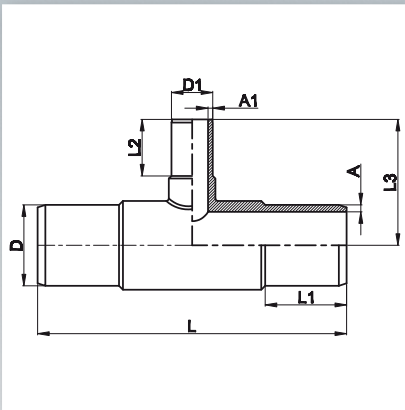
D - D1 (mm)	L (mm)	L1 (mm)	L2 (mm)	L3 (mm)	A (mm)	A1 (mm)	Weight (kg)	Box Quantity
250-125	597	129	87	259	22.7	11.4	11.640	2
250-160	597	129	98	270	22.7	14.6	12.000	2
250-225	597	129	120	292	22.7	20.5	12.970	2
280-110	698	139	82	294	25.4	10.0	18.400	1
280-160	698	139	98	310	25.4	14.6	18.550	1
280-200	698	139	112	324	25.4	18.2	19.100	1
280-225	698	139	120	332	25.4	20.5	19.760	1
280-250	698	139	129	342	25.4	22.7	20.500	1
315-110	726	150	82	297	28.6	10.0	22.600	1
315-160	726	150	98	313	28.6	14.6	23.800	1
315-200	726	150	112	327	28.6	18.2	24.500	1
315-225	726	150	120	335	28.6	20.5	24.800	1
315-250	726	150	129	345	28.6	22.7	25.100	1
355-110	725	300	200	400	32.3	10.0	29.200	1
355-125	740	300	200	400	32.3	11.4	30.600	1
355-140	755	300	200	400	32.3	12.7	32.300	1
355-160	775	300	200	400	32.3	14.5	34.700	1
355-180	795	300	200	400	32.3	16.4	37.400	1
355-200	815	300	200	400	32.3	18.2	40.700	1
355-225	840	300	200	400	32.3	20.5	45.100	1
355-250	865	300	200	400	32.3	22.7	50.200	1
355-280	900	300	200	400	32.3	25.5	57.700	1
400-110	725	300	200	425	36.4	10.0	34.400	1
400-125	740	300	200	425	36.4	11.4	36.000	1
400-140	755	300	200	425	36.4	12.7	37.800	1
400-160	775	300	200	425	36.4	14.5	40.500	1
400-180	795	300	200	425	36.4	16.4	43.500	1
400-200	815	300	200	425	36.4	18.2	46.800	1
400-225	840	300	200	425	36.4	20.5	51.500	1
400-250	865	300	200	425	36.4	22.7	56.800	1
400-280	900	300	200	425	36.4	25.5	64.800	1
400-315	935	300	200	425	36.4	28.6	74.800	1
450-110	730	300	200	450	40.9	10.0	53.500	1
450-125	940	300	200	450	40.9	11.4	55.500	1
450-140	955	300	200	450	40.9	12.7	57.500	1
450-160	975	300	200	450	40.9	14.5	60.400	1
450-180	995	300	200	450	40.9	16.4	63.500	1
450-200	1015	300	200	450	40.9	18.2	67.200	1
450-225	1040	300	200	450	40.9	20.5	72.200	1
450-250	1065	300	200	450	40.9	22.7	77.800	1
450-280	1100	300	200	450	40.9	25.5	86.200	1
450-315	1135	300	200	450	40.9	28.6	96.700	1
450-355	1175	300	300	450	40.9	32.3	110.400	1



Every effort has been made to ensure the information in this brochure is correct at the date of issue. Fusion operates a policy of continuous product improvement and range extension and, therefore, reserves the right to modify product specifications in line with market requirements.

continued on next page.....

Reducing Tee



PE100 | SDR 11 | Water PN 16 | Gas 10 Bar

D - D1 (mm)	L (mm)	L1 (mm)	L2 (mm)	L3 (mm)	A (mm)	A1 (mm)	Weight (kg)	Box Quantity
500-110	925	300	200	475	45.5	10.0	68.900	1
500-125	940	300	200	475	45.5	11.4	70.400	1
500-140	955	300	200	475	45.5	12.7	71.400	1
500-160	975	300	200	475	45.5	14.5	74.600	1
500-180	995	300	200	475	45.5	16.4	78.000	1
500-200	1015	300	200	475	45.5	18.2	81.900	1
500-225	1040	300	200	475	45.5	20.5	87.200	1
500-250	1065	300	200	475	45.5	22.7	93.200	1
500-280	1100	300	200	475	45.5	25.5	102.000	1
500-315	1135	300	200	475	45.5	28.6	113.000	1
500-355	1175	300	300	475	45.5	32.3	127.300	1
500-400	1220	300	300	475	45.5	36.4	145.900	1
560-110	925	400	200	500	50.9	10.0	80.600	1
560-125	940	400	200	500	50.9	11.4	83.700	1
560-140	955	400	200	500	50.9	12.7	85.600	1
560-160	975	400	200	500	50.9	14.5	88.300	1
560-180	995	400	200	500	50.9	16.4	92.200	1
560-200	1015	400	200	500	50.9	18.2	96.400	1
560-225	1040	400	200	500	50.9	20.5	102.100	1
560-250	1065	400	200	500	50.9	22.7	108.500	1
560-280	1100	400	200	500	50.9	25.5	117.900	1
560-315	1135	400	200	500	50.9	28.6	129.500	1
560-355	1175	400	300	500	50.9	32.3	144.500	1
560-400	1220	400	300	500	50.9	36.4	164.000	1
630-160	975	400	200	540	57.3	14.5	111.200	1
630-180	995	400	200	540	57.3	16.4	115.600	1
630-200	1015	400	200	540	57.3	18.2	120.200	1
630-225	1040	400	200	540	57.3	20.5	126.400	1
630-250	1065	400	200	540	57.3	22.7	133.300	1
630-280	1100	400	200	540	57.3	25.5	143.500	1
630-315	1135	400	200	540	57.3	28.6	155.900	1
630-355	1175	400	300	540	57.3	32.3	171.700	1
630-400	1220	400	300	540	57.3	36.4	192.300	1
630-450	1270	400	200	540	57.3	40.9	218.800	1
710-225	1225	400	200	620	64.5	20.5	141.800	1
710-250	1250	400	200	620	64.5	22.7	145.900	1
710-280	1280	400	200	620	64.5	25.5	151.700	1
710-315	1315	400	200	620	64.5	28.6	163.600	1
710-355	1355	400	300	620	64.5	32.3	179.100	1
710-400	1400	400	300	620	64.5	36.4	187.600	1
710-450	1450	400	300	620	64.5	40.9	197.500	1
710-500	1500	400	300	620	64.5	45.5	207.700	1

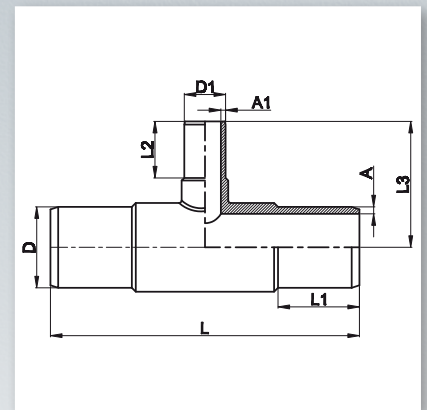
Every effort has been made to ensure the information in this brochure is correct at the date of issue. Fusion operates a policy of continuous product improvement and range extension and, therefore, reserves the right to modify product specifications in line with market requirements.

Reducing Tee



PE100 | SDR 17 | Water PN 10 | Gas 6 Bar

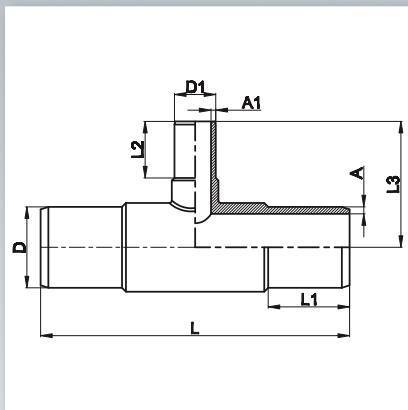
D - D1 (mm)	L (mm)	L1 (mm)	L2 (mm)	L3 (mm)	A (mm)	A1 (mm)	Weight (kg)	Box Quantity
75-63	273	70	63	126	4.5	3.8	0.390	22
90-63	301	79	63	137	5.4	3.8	0.600	14
90-75	301	79	70	144	5.4	4.5	0.610	14
110-63	337	82	63	154	6.6	3.8	1.010	14
110-75	337	82	70	160	6.6	4.5	1.050	14
110-90	337	82	79	167	6.6	5.4	1.090	14
125-90	367	87	79	177	7.4	5.4	1.420	8
125-110	367	87	82	181	7.4	6.6	1.510	8
140-90	384	92	79	180	8.3	5.4	1.630	6
140-110	384	92	82	185	8.3	6.6	1.760	6
140-125	384	92	87	190	8.3	7.4	1.845	6
160-63	428	98	63	181	9.5	3.8	2.480	5
160-75	428	98	70	188	9.5	4.5	2.520	5
160-90	428	98	79	197	9.5	5.4	2.570	5
160-110	428	98	82	201	9.5	6.6	2.620	4
160-125	428	98	87	206	9.5	7.4	2.740	4
180-90	472	105	79	212	10.7	5.4	3.545	3
180-110	472	105	82	216	10.7	6.6	3.590	3
180-125	472	105	87	221	10.7	7.4	3.700	3
180-160	472	105	98	232	10.7	9.5	3.850	3
200-63	488	112	63	197	11.9	3.8	4.450	3
200-90	488	112	79	213	11.9	5.4	4.600	3
200-110	488	112	82	217	11.9	6.6	4.620	3
200-125	488	112	87	232	11.9	7.4	4.760	3
200-160	488	112	98	233	11.9	9.5	4.850	3
225-90	534	120	79	229	13.4	5.4	6.330	2
225-110	534	120	82	233	13.4	6.6	6.400	2
225-125	534	120	87	246	13.4	7.4	6.500	2
225-160	534	120	98	249	13.4	9.5	6.600	2
225-180	558	128	107	284	13.4	10.7	7.180	1
250-90	597	129	79	250	14.8	5.4	8.360	2
250-110	597	129	82	254	14.8	6.6	8.420	2
250-125	597	129	87	259	14.8	7.4	8.600	2
250-160	597	129	98	270	14.8	9.5	8.740	2
250-225	597	129	120	292	14.8	13.4	9.450	2
280-110	698	139	82	294	16.6	6.6	13.250	1
280-160	698	139	98	310	16.6	9.5	13.650	1
280-200	698	139	112	324	16.6	11.9	14.170	1
280-225	698	139	120	332	16.6	13.4	14.580	1
280-250	698	139	129	342	16.6	14.8	15.100	1
315-110	726	150	82	297	18.7	6.6	16.420	1
315-160	726	150	98	313	18.7	9.5	16.500	1



Every effort has been made to ensure the information in this brochure is correct at the date of issue. Fusion operates a policy of continuous product improvement and range extension and, therefore, reserves the right to modify product specifications in line with market requirements.

continued on next page.....

Reducing Tee



PE100 | SDR 17 | Water PN 10 | Gas 6 Bar

D - D1 (mm)	L (mm)	L1 (mm)	L2 (mm)	L3 (mm)	A (mm)	A1 (mm)	Weight (kg)	Box Quantity
315-200	726	150	112	327	18.7	11.9	16.960	1
315-225	726	150	120	335	18.7	13.4	17.500	1
315-250	726	150	129	345	18.7	14.8	18.000	1
355-110	725	300	200	400	20.9	6.5	27.700	1
355-125	740	300	200	400	20.9	7.4	29.100	1
355-140	755	300	200	400	20.9	8.2	30.700	1
355-160	775	300	200	400	20.9	9.4	33.000	1
355-180	795	300	200	400	20.9	10.6	35.500	1
355-200	815	300	200	400	20.9	11.8	38.700	1
355-225	840	300	200	400	20.9	13.2	42.800	1
355-250	865	300	200	400	20.9	14.7	47.700	1
355-280	900	300	200	400	20.9	16.5	54.800	1
400-110	725	300	200	425	23.5	6.5	32.700	1
400-125	740	300	200	425	23.5	7.4	34.200	1
400-140	755	300	200	425	23.5	8.2	35.900	1
400-160	775	300	200	425	23.5	9.4	38.500	1
400-180	795	300	200	425	23.5	10.6	41.300	1
400-200	815	300	200	425	23.5	11.8	44.500	1
400-225	840	300	200	425	23.5	13.2	48.900	1
400-250	865	300	200	425	23.5	14.7	54.000	1
400-280	900	300	200	425	23.5	16.5	61.600	1
400-315	935	300	200	425	23.5	18.5	71.100	1
450-110	730	300	200	450	26.5	6.5	50.800	1
450-125	940	300	200	450	26.5	7.4	52.700	1
450-140	955	300	200	450	26.5	8.2	54.600	1
450-160	975	300	200	450	26.5	9.4	57.400	1
450-180	995	300	200	450	26.5	10.6	60.300	1
450-200	1015	300	200	450	26.5	11.8	63.800	1
450-225	1040	300	200	450	26.5	13.2	68.600	1
450-250	1065	300	200	450	26.5	14.7	73.900	1
450-280	1100	300	200	450	26.5	16.5	81.900	1
450-315	1135	300	200	450	26.5	18.5	91.900	1
450-355	1175	300	300	450	26.5	20.9	104.900	1
500-110	925	300	200	475	29.4	6.5	65.500	1
500-125	940	300	200	475	29.4	7.4	66.900	1
500-140	955	300	200	475	29.4	8.2	67.800	1
500-160	975	300	200	475	29.4	9.4	70.900	1
500-180	995	300	200	475	29.4	10.6	74.100	1
500-200	1015	300	200	475	29.4	11.8	77.800	1
500-225	1040	300	200	475	29.4	13.2	82.800	1
500-250	1065	300	200	475	29.4	14.7	88.500	1
500-280	1100	300	200	475	29.4	16.5	96.900	1
500-315	1135	300	200	475	29.4	18.5	107.400	1

Every effort has been made to ensure the information in this brochure is correct at the date of issue. Fusion operates a policy of continuous product improvement and range extension and, therefore, reserves the right to modify product specifications in line with market requirements.

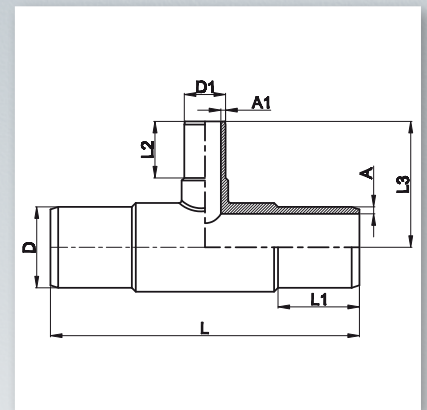
continued on next page.....

Reducing Tee



PE100 | SDR 17 | Water PN 10 | Gas 6 Bar

D - D1 (mm)	L (mm)	L1 (mm)	L2 (mm)	L3 (mm)	A (mm)	A1 (mm)	Weight (kg)	Box Quantity
500-355	1175	300	300	475	29.4	20.9	120.900	1
500-400	1220	300	300	475	29.4	23.5	138.600	1
560-110	925	400	200	500	32.9	6.5	76.600	1
560-125	940	400	200	500	32.9	7.4	79.500	1
560-140	955	400	200	500	32.9	8.2	81.300	1
560-160	975	400	200	500	32.9	9.4	83.900	1
560-180	995	400	200	500	32.9	10.6	87.600	1
560-200	1015	400	200	500	32.9	11.8	91.600	1
560-225	1040	400	200	500	32.9	13.2	97.000	1
560-250	1065	400	200	500	32.9	14.7	103.100	1
560-280	1100	400	200	500	32.9	16.5	112.000	1
560-315	1135	400	200	500	32.9	18.5	123.000	1
560-355	1175	400	300	500	32.9	20.9	137.300	1
560-400	1220	400	300	500	32.9	23.5	155.800	1
630-160	975	400	200	540	37.1	9.4	105.600	1
630-180	995	400	200	540	37.1	10.6	109.800	1
630-200	1015	400	200	540	37.1	11.8	114.200	1
630-225	1040	400	200	540	37.1	13.2	120.100	1
630-250	1065	400	200	540	37.1	14.7	126.600	1
630-280	1100	400	200	540	37.1	16.5	136.300	1
630-315	1135	400	200	540	37.1	18.5	148.100	1
630-355	1175	400	300	540	37.1	20.9	163.100	1
630-400	1220	400	300	540	37.1	23.5	182.700	1
630-450	1270	400	300	540	37.1	26.5	207.900	1
710-225	1225	400	200	620	41.8	13.2	96.900	1
710-250	1250	400	200	620	41.8	14.7	99.700	1
710-280	1280	400	200	620	41.8	16.5	103.700	1
710-315	1315	400	200	620	41.8	18.5	111.800	1
710-355	1355	400	300	620	41.8	20.9	122.500	1
710-400	1400	400	300	620	41.8	23.5	128.200	1
710-450	1450	400	300	620	41.8	26.5	134.600	1
710-500	1500	400	300	620	41.8	29.4	141.900	1



Every effort has been made to ensure the information in this brochure is correct at the date of issue. Fusion operates a policy of continuous product improvement and range extension and, therefore, reserves the right to modify product specifications in line with market requirements.