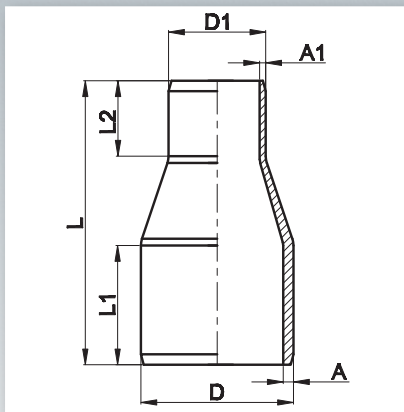


Reducer



PE100 | SDR 11 | Water PN 16 | Gas 10 Bar

D - D1 (mm)	L (mm)	L1 (mm)	L2 (mm)	A (mm)	A1 (mm)	Weight (kg)	Box Quantity
32-25	133	44	41	3.0	3.0	0.032	50
40-25	133	49	41	3.7	3.0	0.041	50
40-32	133	49	44	3.7	3.0	0.050	50
50-25	144	55	41	4.6	3.0	0.065	40
50-32	144	55	44	4.6	3.0	0.075	40
50-40	144	55	49	4.6	3.7	0.080	40
63-25	155	63	41	5.8	3.0	0.105	20
63-32	155	63	44	5.8	3.0	0.115	20
63-40	155	63	49	5.8	3.7	0.120	20
63-50	155	63	55	5.8	4.6	0.140	20
75-32	175	70	44	6.8	3.0	0.155	36
75-40	175	70	49	6.8	3.7	0.170	36
75-50	175	70	55	6.8	4.6	0.200	36
75-63	175	70	63	6.8	5.8	0.230	36
90-50	195	79	55	8.2	4.6	0.285	36
90-63	195	79	63	8.2	5.8	0.325	36
90-75	195	79	70	8.2	6.8	0.380	36
110-63	213	82	63	10.0	5.8	0.485	30
110-75	213	82	70	10.0	6.8	0.540	30
110-90	213	82	79	10.0	8.2	0.610	30
125-63	220	87	63	11.4	5.8	0.615	24
125-75	220	87	70	11.4	6.8	0.654	24
125-90	220	87	79	11.4	8.2	0.740	24
125-110	220	87	82	11.4	10.0	0.850	18
140-75	231	92	70	12.7	6.8	0.835	16
140-90	231	92	79	12.7	8.2	0.835	16
140-110	231	92	82	12.7	10.0	1.012	16
140-125	231	92	87	12.7	11.4	1.075	16
160-90	251	98	79	14.6	8.2	1.250	16
160-110	251	98	82	14.6	10.0	1.310	16
160-125	251	98	87	14.6	11.4	1.450	16
160-140	251	98	92	14.6	12.7	1.475	16
180-90	245	105	87	16.4	8.2	1.840	1
180-110	261	105	82	16.4	10.0	1.530	6
180-125	261	105	87	16.4	11.4	1.650	6
180-140	261	105	92	16.4	12.7	1.835	6
180-160	261	105	98	16.4	14.6	2.080	6
200-110	274	112	82	18.2	10.0	2.200	8
200-140	282	112	92	18.2	12.7	2.375	8
200-160	282	112	98	18.2	14.6	2.375	8
200-180	282	112	105	18.2	16.4	2.640	8
225-110	292	120	82	20.5	10.0	2.280	4

Every effort has been made to ensure the information in this brochure is correct at the date of issue. Fusion operates a policy of continuous product improvement and range extension and, therefore, reserves the right to modify product specifications in line with market requirements.

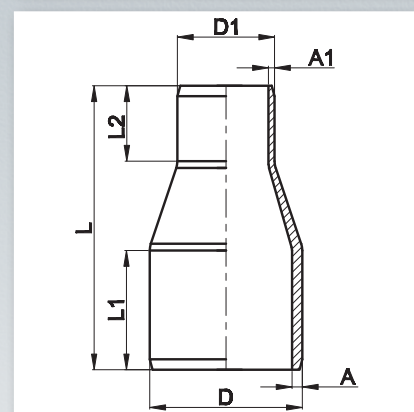
continued on next page.....

Reducer



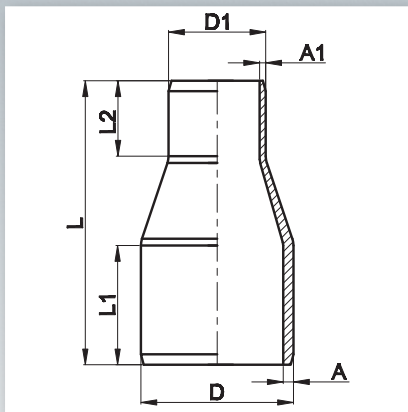
PE100 | SDR 11 | Water PN 16 | Gas 10 Bar

D - D1 (mm)	L (mm)	L1 (mm)	L2 (mm)	A (mm)	A1 (mm)	Weight (kg)	Box Quantity
225-140	298	134	112	20.5	12.4	2.904	1
225-160	292	120	98	20.5	14.6	3.030	4
225-180	292	120	105	20.5	16.4	3.410	5
225-200	292	120	112	20.5	18.2	3.690	5
250-160	295	129	98	22.7	14.6	3.625	2
250-180	307	129	105	22.7	16.4	4.235	2
250-200	307	129	112	22.7	18.2	4.340	2
250-225	312	129	120	22.7	20.5	4.740	2
280-180	344	139	105	25.4	26.4	5.350	2
280-200	344	139	112	25.4	18.7	5.800	2
280-225	344	139	120	25.4	20.5	5.950	2
280-250	350	139	129	25.4	22.7	6.930	2
315-200	375	200	200	28.6	18.2	12.4	1
315-225	385	150	120	28.6	20.5	7.750	2
315-250	385	150	129	28.6	22.7	8.300	2
315-280	345	150	139	28.6	25.4	8.400	2
355-225	640	300	200	32.3	20.5	17.200	1
355-250	630	300	200	32.3	22.7	17.500	1
355-280	620	300	200	32.3	25.5	18.100	1
355-315	610	300	200	32.3	28.6	18.800	1
400-225	660	300	200	36.4	20.5	22.000	1
400-250	650	300	200	36.4	22.7	22.300	1
400-280	640	300	200	36.4	25.5	22.800	1
400-315	620	300	200	36.4	28.6	23.000	1
400-355	610	300	300	36.4	32.3	27.200	1
450-280	760	300	200	40.9	25.5	28.900	1
450-315	740	300	200	40.9	28.6	29.100	1
450-355	730	300	300	40.9	32.3	33.100	1
450-400	720	300	300	40.9	36.4	35.000	1
500-315	770	300	200	45.5	28.6	36.700	1
500-355	750	300	300	45.5	32.3	40.000	1
500-400	740	300	300	45.5	36.4	42.100	1
500-450	720	300	300	45.5	40.9	43.700	1
560-355	770	400	300	50.9	32.3	58.900	1
560-400	760	400	300	50.9	36.4	59.900	1
560-450	740	400	300	50.9	40.9	61.400	1
560-500	730	400	300	50.9	45.5	63.600	1
630-400	790	400	300	57.3	36.4	76.000	1
630-450	770	400	300	57.3	40.9	77.300	1
630-500	750	400	300	57.3	45.5	78.600	1
630-560	730	400	400	57.3	50.9	88.700	1



Every effort has been made to ensure the information in this brochure is correct at the date of issue. Fusion operates a policy of continuous product improvement and range extension and, therefore, reserves the right to modify product specifications in line with market requirements.

Reducer



PE100 | SDR 17 | Water PN 10 | Gas 6 Bar

D - D1 (mm)	L (mm)	L1 (mm)	L2 (mm)	A (mm)	A1 (mm)	Weight (kg)	Box Quantity
75-63	175	70	63	4.5	3.8	0.177	36
90-63	195	79	63	5.4	3.8	0.251	36
90-75	195	79	70	5.4	4.5	0.295	36
110-63	213	82	63	6.6	3.8	0.383	30
110-75	213	82	70	6.6	4.5	0.427	30
110-90	213	82	79	6.6	5.4	0.476	30
125-63	220	87	63	7.4	3.8	0.478	24
125-75	220	87	70	7.4	4.5	0.506	24
125-90	220	87	79	7.4	5.4	0.572	24
125-110	220	87	82	7.4	6.6	0.653	18
140-75	231	92	70	8.3	4.5	0.652	16
140-90	231	92	79	8.3	5.4	0.632	16
140-110	231	92	82	8.3	6.6	0.780	16
140-125	231	92	87	8.3	7.4	0.809	16
160-90	251	98	79	9.5	5.4	0.985	16
160-110	251	98	82	9.5	6.6	1.016	16
160-125	251	98	87	9.5	7.4	1.122	16
160-140	251	98	92	9.5	8.3	1.112	16
180-90	245	105	87	10.6	5.3	1.530	1
180-110	261	105	82	10.7	6.6	1.163	6
180-125	261	105	87	10.7	7.4	1.248	6
180-140	261	105	92	10.7	8.3	1.398	6
180-160	261	105	98	10.7	9.5	1.581	6
200-110	274	112	82	11.9	6.6	1.744	8
200-140	282	112	92	11.9	8.3	1.850	8
200-160	282	112	98	11.9	9.5	1.788	8
200-180	282	112	105	11.9	10.7	1.979	8
225-110	292	120	82	13.4	6.6	1.690	4
225-140	290	133	114	13.4	8.3	2.904	1
225-160	292	120	98	13.4	9.5	2.309	4
225-180	292	120	105	13.4	10.7	2.615	5
225-200	292	120	112	13.4	11.9	2.806	5
250-160	295	129	98	14.8	9.5	2.736	2
250-180	307	129	105	14.8	10.7	3.272	2
250-200	307	129	112	14.8	11.9	3.288	2
250-225	312	129	120	14.8	13.4	3.554	2
280-180	344	139	105	16.6	10.7	3.652	2
280-200	344	139	112	16.6	11.9	4.485	2
280-225	344	139	120	16.6	13.4	4.531	2
280-250	350	139	129	16.6	14.8	5.343	2
315-200	375	200	200	18.5	11.8	8.35	1
315-225	385	150	120	18.7	13.4	5.998	2

Every effort has been made to ensure the information in this brochure is correct at the date of issue. Fusion operates a policy of continuous product improvement and range extension and, therefore, reserves the right to modify product specifications in line with market requirements.

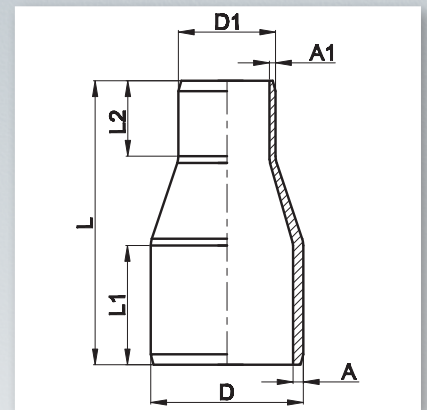
continued on next page.....

Reducer



PE100 | SDR 17 | Water PN 10 | Gas 6 Bar

D - D1 (mm)	L (mm)	L1 (mm)	L2 (mm)	A (mm)	A1 (mm)	Weight (kg)	Box Quantity
315-250	385	150	129	18.7	14.8	6.380	2
315-280	345	150	139	18.7	16.6	6.247	2
355-225	640	300	200	20.9	13.2	11.900	1
355-250	630	300	200	20.9	14.7	11.900	1
355-280	620	300	200	20.9	16.5	12.200	1
355-315	610	300	200	20.9	18.5	12.700	1
400-225	660	300	200	23.5	13.2	14.900	1
400-250	650	300	200	23.5	14.7	15.100	1
400-280	640	300	200	23.5	16.5	15.400	1
400-315	620	300	200	23.5	18.5	15.600	1
400-355	610	300	300	23.5	20.9	18.300	1
450-280	760	300	200	26.5	16.5	19.500	1
450-315	740	300	200	26.5	18.5	19.700	1
450-355	730	300	300	26.5	20.9	22.500	1
450-400	720	300	300	26.5	23.5	23.600	1
500-315	770	300	200	29.4	18.5	24.900	1
500-355	750	300	300	29.4	20.9	27.300	1
500-400	740	300	300	29.4	23.5	28.500	1
500-450	720	300	300	29.4	26.5	29.500	1
560-355	770	400	300	32.9	20.9	39.400	1
560-400	760	400	300	32.9	23.5	40.500	1
560-450	740	400	300	32.9	26.5	41.500	1
560-500	730	400	300	32.9	29.4	43.000	1
630-400	790	400	300	37.1	23.5	51.700	1
630-450	770	400	300	37.1	26.5	52.500	1
630-500	750	400	300	37.1	29.4	53.300	1
630-560	730	400	400	37.1	32.9	60.000	1
710-500	790	400	300	41.8	29.4	67.900	1
710-560	770	300	300	41.8	32.9	75.200	1
710-630	740	300	300	41.8	37.1	77.400	1
800-560	800	400	400	47.1	32.9	87.100	1
800-630	780	400	400	47.1	37.1	96.700	1
800-710	750	400	400	47.1	41.8	99.700	1
900-630	820	400	400	52.9	37.1	123.500	1
900-710	790	400	400	52.9	41.8	125.600	1
900-800	760	400	400	52.9	47.1	128.300	1
1000-800	780	400	400	58.8	47.1	157.100	1
1000-900	740	400	400	58.8	52.9	158.200	1
1200-1000	990	400	400	70.6	59.3	206.900	1



Every effort has been made to ensure the information in this brochure is correct at the date of issue. Fusion operates a policy of continuous product improvement and range extension and, therefore, reserves the right to modify product specifications in line with market requirements.