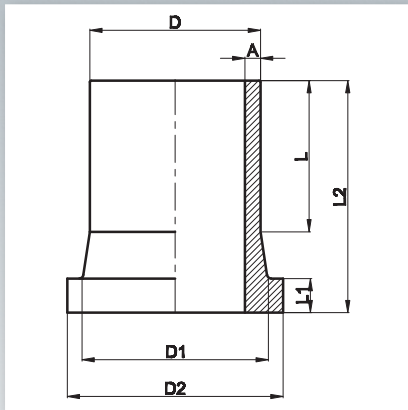


Flange Adaptor



PE100 | SDR 11 | Water PN 16 | Gas 10 Bar

D (mm)	D1 (mm)	D2 (mm)	L (mm)	L1 (mm)	L2 (mm)	A (mm)	Weight (kg)	Box Quantity
20	28	45	41	7	76	3.0	0.025	100
25	34	58	41	9	81	3.0	0.040	50
32	42	68	44	10	85	3.0	0.060	40
40	48	78	49	11	88	3.7	0.085	70
50	58	88	55	12	92	4.6	0.125	50
63	78	102	63	14	100	5.8	0.190	60
75	92	122	70	16	120	6.8	0.300	60
90	108	138	79	17	132	8.2	0.455	45
110	128	158	82	18	157	10.0	0.690	24
125	135	158	87	25	170	11.4	0.880	16
140	158	188	92	25	175	12.7	1.320	12
160	178	212	98	25	180	14.6	1.630	12
180	188	212	105	30	190	16.4	2.020	12
200	235	268	112	32	200	18.2	2.680	4
225	238	268	120	32	200	20.5	3.150	4
250	288	320	129	35	205	22.7	4.030	2
280	294	320	139	35	215	25.4	4.750	2
315	338	370	150	35	220	28.6	6.650	2
355	376	430	164	40	243	32.3	9.050	1
400	430	480	179	46	259	36.4	11.920	1
*450	517	585	195	60	301	40.9	22.000	1
*500	533	585	212	60	314	45.5	25.000	1
*560	618	685	235	72	345	50.9	36.800	1
*630	645	685	255	65	360	57.3	42.250	1
710	737	800	400	67	520	64.5	51.100	1
800	840	905	400	74	520	72.7	65.700	1

* sizes 450 - 630 - Injected short type - supplied with pipe extension

Flange Adaptor



PE100 | SDR 17 | Water PN 10 | Gas 6 Bar

D (mm)	D1 (mm)	D2 (mm)	L (mm)	L1 (mm)	L2 (mm)	A (mm)	Weight (kg)	Box Quantity
50	61	88	79	12	108	3.0	0.114	60
63	78	102	63	14	98	3.8	0.165	60
75	92	122	70	16	107	4.5	0.262	60
90	108	138	79	17	116	5.4	0.400	45
110	128	158	82	17	128	6.6	0.560	24
125	135	158	87	18	132	7.4	0.690	16
140	158	188	92	18	142	8.3	1.060	12
160	178	212	98	18	145	9.5	1.170	12
180	188	212	105	20	150	10.7	1.490	12
200	235	268	112	24	174	11.9	1.980	4
225	238	268	120	24	179	13.4	2.280	4
250	288	320	129	25	195	14.8	3.400	2
280	294	320	139	25	205	16.6	3.850	2
315	338	370	150	25	216	18.7	4.700	2
355	376	430	164	30	233	21.1	6.250	1
400	430	480	179	33	246	23.7	8.750	1
*450	517	585	195	46	287	26.7	15.300	1
*500	533	585	212	46	300	29.7	17.040	1
*560	618	685	235	50	330	33.2	23.850	1
*630	645	685	255	50	340	37.4	28.250	1
*710	740	800	255	60	350	42.1	38.050	1
*800	843	900	255	60	350	47.4	48.800	1
*900	947	1000	255	65	355	53.3	62.500	1
*1000	1050	1113	255	70	360	59.3	81.000	1
1200	1245	1330	400	90	590	68	174.00	1

* sizes 450 - 1000 - Injected short type
- supplied with pipe extension

