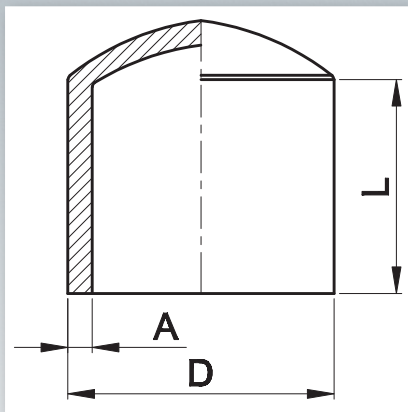


# End Cap



## PE100 | SDR 11 | Water PN 16 | Gas 10 Bar

D (mm)	L (mm)	A (mm)	Weight (kg)	Box Quantity
20	41	3.0	0.008	100
25	41	3.0	0.012	100
32	44	3.0	0.016	100
40	49	3.7	0.028	60
50	55	4.6	0.052	50
63	63	5.8	0.088	36
75	70	6.8	0.142	27
90	79	8.2	0.235	60
110	82	10.0	0.370	36
125	87	11.4	0.520	24
140	92	12.7	0.745	22
160	98	14.6	1.025	15
180	105	16.4	1.342	8
200	112	18.2	1.795	10
225	120	20.5	2.540	4
250	129	22.7	3.260	4
280	139	25.4	4.460	3
315	150	28.6	6.195	2
355	164	32.3	8.910	1
400	179	36.4	12.440	1
450	285	40.9	30.000	1
500	290	45.5	36.900	1
560	300	50.9	48.500	1
630	310	57.3	64.800	1

## PE100 | SDR 17 | Water PN 10 | Gas 6 Bar

D (mm)	L (mm)	A (mm)	Weight (kg)	Box Quantity
50	70	3.0	0.036	50
63	63	3.8	0.070	36
75	70	4.5	0.110	27
90	79	5.4	0.182	60
110	82	6.6	0.289	36
125	87	7.4	0.404	24
140	92	8.3	0.594	22
160	98	9.5	0.813	15
180	105	10.7	1.056	8
200	112	11.9	1.420	10
225	120	13.4	2.031	4
250	129	14.8	2.583	4
280	139	16.6	3.550	3
315	150	18.7	4.952	2
355	164	21.1	7.178	1
400	179	23.7	10.024	1
450	285	26.5	20.900	1
500	290	29.4	27.500	1
560	300	32.9	36.600	1
630	310	37.1	49.300	1
710	320	41.8	54.000	1
800	330	47.1	73.300	1
900	340	52.9	98.900	1
1000	560	58.8	123.900	1

Every effort has been made to ensure the information in this brochure is correct at the date of issue. Fusion operates a policy of continuous product improvement and range extension and, therefore, reserves the right to modify product specifications in line with market requirements.