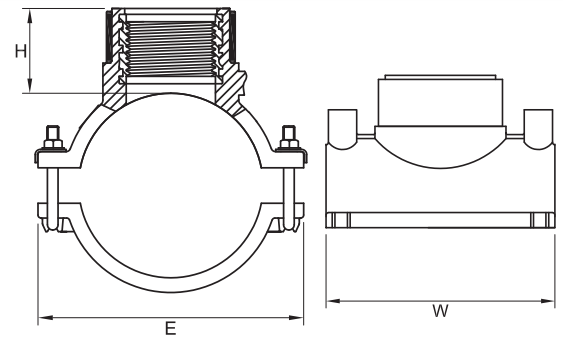


TRANSITION SADDLE

PE100 Black - Gas 10 Bar / Water PN16



FITTING CODE	FITTING SIZE	H (mm)	W (mm)	E (mm)	FUSION TIME (secs)	COOLING TIME (mins)	WEIGHT (kg)	BOX QUANTITY
XBBKHA63X1.3	63mm x 1¼"	90	118	102	120	10	0.75	10
XBBKHA63X1.5	63mm x 1½"	90	118	102	120	10	0.7	10
XBBKHA90X1.3	90mm x 1¼"	57	118	156	160	10	1.2	10
XBBKHA90X1.5	90mm x 1½"	57	118	156	160	10	1.17	10
XBBKHA90X2	90mm x 2"	57	118	156	160	10	1.04	10
XBBKHA110X1.3	110mm x 1¼"	56	118	180	120	10	1.16	10
XBBKHA110X1.5	110mm x 1½"	56	118	180	120	10	1.135	8
XBBKHA110X2	110mm x 2"	56	118	180	120	10	1.16	8
XBBKHA125X1.3	125mm x 1¼"	58	118	180	120	10	1.12	8
XBBKHA125X1.5	125mm x 1½"	58	118	180	120	10	1.079	8
XBBKHA125X2	125mm x 2"	58	118	180	120	10	1.12	8
XBBKHA160X1.3	160mm x 1¼"	62	118	236	120	10	1.7	2
XBBKHA160X1.5	160mm x 1½"	62	118	236	120	10	1.6	2
XBBKHA160X2	160mm x 2"	62	118	236	120	10	1.45	2
XBBKHA180X1.3	180mm x 1¼"	60	118	236	120	10	1.7	2
XBBKHA180X1.5	180mm x 1½"	60	118	236	120	10	1.6	2
XBBKHA180X2	180mm x 2"	60	118	236	120	10	1.5	2
XBBKHA200X2	200mm x 2"	67	165	263	120	10	2.17	3
XBBKHA225X2	225mm x 2"	66	165	288	120	10	2.3	2
XBBKHA250X2	250mm x 2"	74	165	316	120	10	2.42	2