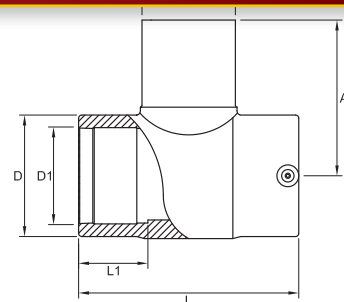


EQUAL TEE

PE100 Black - Gas 10 Bar / Water PN16

PE80 Yellow - Gas 7 Bar



FITTING CODE	FITTING SIZE	L (mm)	L1 (mm)	D (mm)	D1 (mm)	D2 (mm)	A (mm)	FUSION TIME (secs)	COOLING TIME (mins)	WEIGHT (kg)	BOX QUANTITY
ET*A20	20 x 20 x 20mm	98	35	44	20	20	78	30	3	0.13	75
ET*A25	25 x 25 x 25mm	98	35	44	25	25	78	35	3	0.12	75
ET*A32	32 x 32 x 32mm	98	35	44	32	32	78	50	3	0.1	50
ET*A40	40 x 40 x 40mm	131	44	52	40	40	91	80	5	0.163	18
ET*A50	50 x 50 x 50mm	141	43	64	50	50	104	90	5	0.23	25
ET*A63	63 x 63 x 63mm	156	50	82	63	63	114	40	5	0.445	20
ET*A75	75 x 75 x 75mm	174	60	97	75	75	126	120	10	0.597	12
ET*A90	90 x 90 x 90mm	201	55	115	90	90	143	110	8	0.97	7
ET*A110	110 x 110 x 110mm	239	73	139	110	110	167	140	10	1.67	6
ET*A125	125 x 125 x 125mm	262	79	156	125	125	196	200	15	2.3	4
ET*A160	160 x 160 x 160mm	313	89	200	160	160	211	360	20	4.06	2
ET*A180	180 x 180 x 180mm	330	89	224	180	180	231	360	19	5.3	2

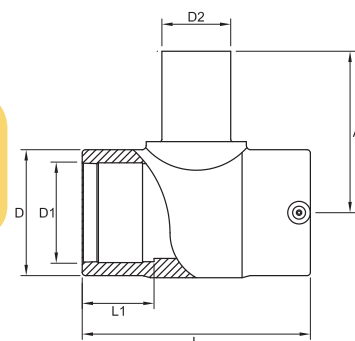
REDUCING TEE

PE100 Black - Gas 10 Bar / Water PN16

PE80 Yellow - Gas 7 Bar



also available in yellow

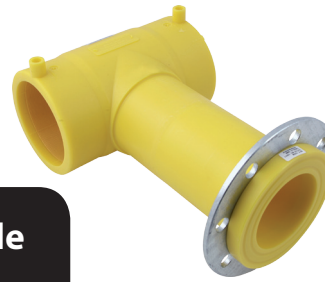


FITTING CODE	FITTING SIZE	L (mm)	L1 (mm)	D (mm)	D1 (mm)	D2 (mm)	A (mm)	FUSION TIME (secs)	COOLING TIME (mins)	WEIGHT (kg)	BOX QUANTITY
RT*A20X32	20 x 20 x 32mm	98	35	44	20	32	78	50	3	0.13	50
RT*A25X32	25 x 25 x 32mm	98	35	44	25	32	78	35	3	0.126	50
RT*A50X40	50 x 50 x 40mm	144	49	67	50	40	101	120	10	0.3	25
RT*A63X40	63 x 63 x 40mm	154	34	81	63	40	108	40	5	0.4	24
RT*A63X50	63 x 63 x 50mm	157	51	83	63	50	118	40	5	0.42	18
RT*A90X63	90 x 90 x 63mm	206	63	115.5	90	63	138	110	8	0.88	8
RT*A110X63	110 x 110 x 63mm	239	73	139	110	63	163	140	10	1.47	8
RT*A110X90	110 x 110 x 90mm	239	73	139	110	90	158	140	10	1.41	6
RT*A125X63	125 x 125 x 63mm	266	79	157	125	63	500	200	15	3	1
RT*A125X90	125 x 125 x 90mm	262	76	156	125	90	197	200	15	2.12	4
RT*A125X110	125 x 125 x 110mm	262	76	156	125	110	359	200	15	2.8	1
RT*A160X63	160 x 160 x 63mm	367	112	210	160	63	385	360	20	4.1	2
RT*A160X90	160 x 160 x 90mm	365	112	210	160	90	385	360	20	4.1	2
RT*A160X110	160 x 160 x 110mm	365	112	210	160	110	203	360	20	3.77	2
RT*A160X125	160 x 160 x 125mm	367	112	213	160	125	410	200	10	7.45	2
RT*A180X125	180 x 180 x 125mm	372	105	213	180	125	219	360	19	4.85	2

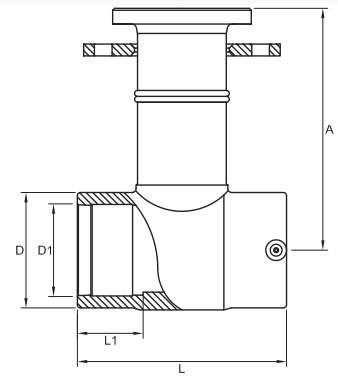
FLANGED TEE

PE100 Black - Gas 10 Bar / Water PN16

PE80 Yellow - Gas 7 Bar



**also available
in black**



FITTING CODE	FITTING SIZE	L (mm)	L1 (mm)	D (mm)	D1 (mm)	A (mm)	FUSION TIME (secs)	COOLING TIME (mins)	WEIGHT (kg)	BOX QUANTITY
FT*A63X50	63mm x 50 NP16	174	61	82	63	251	80	5	3.08	1
FT*A90X50	90mm x 50 NP16	210	65	115	90	307	110	8	5.64	1
FT*A90X80	90mm x 80 NP16	210	65	115	90	307	120	10	6.51	1
FT*A110X100	110mm x 100 NP16	265	88	139	110	353	200	10	8.02	1
FT*A125X80	125mm x 80 NP16	266	79	156	125	526	200	15	7.81	1
FT*A125X100	125mm x 100 NP16	266	79	156	125	353	220	10	7.32	1
FT*A160X100	160mm x 100 NP16	372	112	200	160	596	200	10	8.1	1
FT*A160X150	160mm x 150 NP16	372	112	200	160	436	200	10	9.4	1
FT*A180X80	180mm x 80 NP16	372	112	224	180	766	200	20	7.81	1
FT*A180X100	180mm x 100 NP16	372	112	224	180	575	200	20	9	1
FT*A180X150	180mm x 150 NP16	372	112	224	180	436	200	20	7.4	1

Fusion Group Limited | Smeckley Wood Close | Chesterfield Trading Estate
Chesterfield | Derbyshire | S41 9PZ | United Kingdom

UK Sales - T: +44 (0)1246 455998 | F: +44 (0)1246 261785 | e: sales@fusionprovida.com
International Sales - T: +44 (0)1246 268666 | F: +44 (0)1246 268052 | e: international@fusiongroup.com