

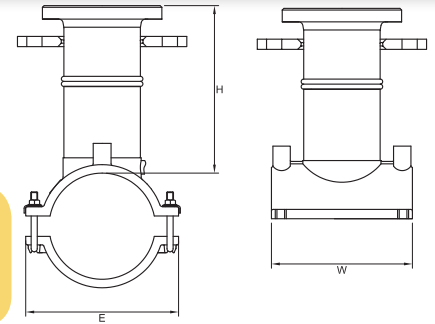
## FLANGED BRANCH SADDLE U/P<sup>1</sup>

PE100 Black - Gas 10 Bar / Water PN16

PE80 Yellow - Gas 6 Bar



also available in yellow

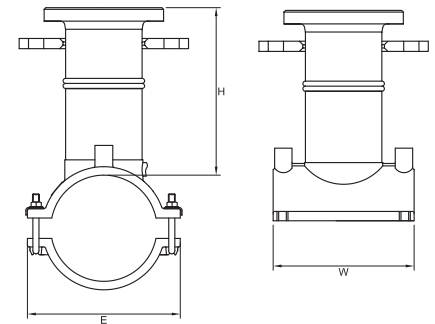


<sup>1</sup> For use with under pressure large diameter drill

| FITTING CODE  | FITTING SIZE   | H (mm) | W (mm) | E (mm) | FUSION TIME (secs) | COOLING TIME (mins) | WEIGHT (kg) | BOX QUANTITY |
|---------------|----------------|--------|--------|--------|--------------------|---------------------|-------------|--------------|
| FB*A110X80U   | 110 x 80 NP16  | 242    | 165    | 180    | 120                | 10                  | 1.1         | 1            |
| FB*A125X80U   | 125 x 80 NP16  | 242    | 165    | 180    | 120                | 10                  | 1.05        | 1            |
| FB*A160X80U   | 160 x 80 NP16  | 194    | 215    | 236    | 120                | 10                  | 2.18        | 1            |
| FB*A160X100U  | 160 x 100 NP16 | 194    | 215    | 236    | 120                | 10                  | 2.41        | 1            |
| FB*A180X80U   | 180 x 80 NP16  | 242    | 215    | 236    | 120                | 10                  | 2.04        | 1            |
| FB*A180X100U  | 180 x 100 NP16 | 216    | 215    | 236    | 120                | 10                  | 2.37        | 1            |
| FB*A200X80U   | 200 x 80 NP16  | 188    | 165    | 263    | 120                | 10                  | 4.64        | 1            |
| FB*A225X80U   | 225 x 80 NP16  | 188    | 165    | 291    | 120                | 10                  | 4.74        | 1            |
| FB*A225X100DP | 225 x 100 NP16 | 190    | 310    | 327    | 500                | 30                  | 11          | 1            |
| FB*A250X80U   | 250 x 80 NP16  | 193    | 165    | 317    | 120                | 10                  | 4.81        | 1            |
| FB*A250X100DP | 250 x 100 NP16 | 190    | 310    | 327    | 500                | 30                  | 11          | 1            |

## FLANGED BRANCH SADDLE U/P - FASTCUT<sup>2</sup>

PE100 Black - Gas / Water



| FITTING CODE    | FITTING SIZE   | H (mm) | W (mm) | E (mm) | FUSION TIME (secs) | COOLING TIME (mins) | WEIGHT (kg) | BOX QUANTITY |
|-----------------|----------------|--------|--------|--------|--------------------|---------------------|-------------|--------------|
| FBBKHM250X200DP | 250 x 200 NP16 | 190    | 310    | 320    | 360                | 20                  | 16          | 1            |
| FBBKHA315X150DP | 315 x 150 NP16 | 190    | 300    | 360    | 440                | 30                  | 15          | 1            |
| FBBKHM315X250DP | 315 x 250 NP16 | 190    | 420    | 385    | 600                | 30                  | 25          | 1            |
| FBBKHA355X150DP | 355 x 150 NP16 | 190    | 300    | 360    | 440                | 30                  | 15          | 1            |
| FBBKHM355X250DP | 355 x 250 NP16 | 190    | 420    | 425    | 600                | 30                  | 25          | 1            |
| FBBKHM400X150DP | 400 x 150 NP16 | 215    | 300    | 360    | 440                | 30                  | 15          | 1            |
| FBBKHM400X250DP | 400 x 250 NP16 | 215    | 420    | 440    | 600                | 30                  | 26.5        | 1            |
| FBBKHM450X250DP | 450 x 250 NP16 | 215    | 420    | 530    | 440                | 30                  | 25          | 1            |
| FBBKHM500X250DP | 500 x 250 NP16 | 215    | 420    | 580    | 440                | 30                  | 25          | 1            |

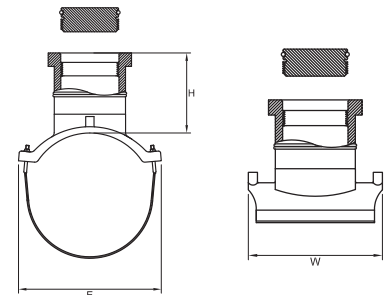
## FLANGED BRANCH SADDLE U/P - FASTCUT<sup>2</sup> FLOWSTOP<sup>3</sup>

PE100 Black - Gas 10 Bar / Water PN16

<sup>2</sup> Only available through **approved fastcut installers**.

<sup>3</sup> For use with ALH Flowstop Bagtube. See Fusion website, or contact your local depot or Fusion's National Sales Office on +44 (0)1246 455998 to obtain a list of approved installers.

**new**



| FITTING CODE    | FITTING SIZE   | H (mm) | W (mm) | E (mm) | FUSION TIME (secs) | COOLING TIME (mins) | WEIGHT (kg) | BOX QUANTITY |
|-----------------|----------------|--------|--------|--------|--------------------|---------------------|-------------|--------------|
| FBKHA315X150ALH | 315 x 150 NP16 | 190    | 300    | 360    | 440                | 30                  | 15          | 1            |
| FBKHA355X150ALH | 355 x 150 NP16 | 190    | 300    | 360    | 440                | 30                  | 15          | 1            |
| FBKHA400X150ALH | 400 x 150 NP16 | 215    | 300    | 360    | 440                | 30                  | 15          | 1            |

Fusion Group Limited | Smectley Wood Close | Chesterfield Trading Estate  
Chesterfield | Derbyshire | S41 9PZ | United Kingdom

UK Sales - T: +44 (0)1246 455998 | F: +44 (0)1246 261785 | e: sales@fusionprovida.com

International Sales - T: +44 (0)1246 268666 | F: +44 (0)1246 268052 | e: international@fusiongroup.com