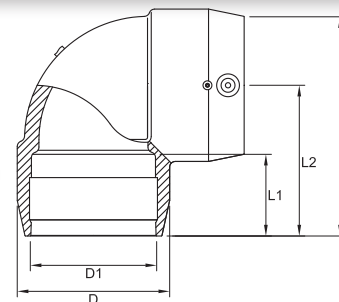


## 90° ELBOW

PE100 Black - Gas 10 Bar / Water PN16

PE80 Yellow - Gas 7 Bar

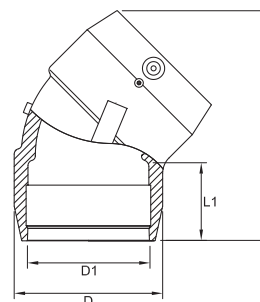


FITTING CODE	FITTING SIZE	L (mm)	L1 (mm)	L2 (mm)	D (mm)	D1 (mm)	FUSION TIME (secs)	COOLING TIME (mins)	WEIGHT (kg)	BOX QUANTITY
E*A20X90	20mm x 90deg	82	44	64	36	20	35	3	0.141	40
E*A25X90	25mm x 90deg	72.4	37.5	55.4	33.85	25	30	3	0.062	100
E*A32X90	32mm x 90deg	84	40	62	44	32	60	5	0.097	80
E*A40X90	40mm x 90deg	116	50	83	67	40	50	5	0.34	55
E*A50X90	50mm x 90deg	116	50	83	67	50	90	5	0.241	50
E*A63X90	63mm x 90deg	123.3	50	84.1	80	63	35	5	0.294	25
E*A75X90	75mm x 90deg	141	53	92	95	75	70	5	0.425	25
E*A90X90	90mm x 90deg	165	59	106	113	90	90	10	0.685	15
E*A110X90	110mm x 90deg	205	71	135	137	110	160	15	1.12	6
E*A125X90	125mm x 90deg	228	72	152	154	125	200	15	1.57	6
E*A160X90	160mm x 90deg	320	104	211	213	160	200	10	5	2
E*A180X90	180mm x 90deg	320	104	211	213	180	300	20	4.12	2

## 45° ELBOW

PE100 Black - Gas 10 Bar / Water PN16

PE80 Yellow - Gas 7 Bar

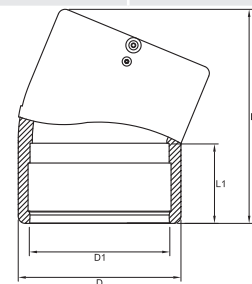


FITTING CODE	FITTING SIZE	L (mm)	L1 (mm)	D (mm)	D1 (mm)	FUSION TIME (secs)	COOLING TIME (mins)	WEIGHT (kg)	BOX QUANTITY
E*A32X45	32mm x 45deg	95	39	44	32	45	3	0.08	100
E*A40X45	40mm x 45deg	108	41.5	53	40	50	5	0.1	70
E*A50X45	50mm x 45deg	124	44.5	63.8	50	80	5	0.134	50
E*A63X45	63mm x 45deg	136.4	50	78.5	63	35	5	0.25	30
E*A75X45	75mm x 45deg	165	62	97	75	70	5	0.427	35
E*A90X45	90mm x 45deg	192	60	117	90	110	10	0.765	18
E*A110X45	110mm x 45deg	213	75	137	110	140	10	0.894	10
E*A125X45	125mm x 45deg	240	81	154	125	140	10	1.22	6
E*A160X45	160mm x 45deg	320	105	217	160	240	10	4.5	2
E*A180X45	180mm x 45deg	320	105	217	180	240	20	3.13	2

## 22.5° ELBOW

PE100 Black - Gas 10 Bar / Water PN16

PE80 Yellow - Gas 7 Bar



FITTING CODE	FITTING SIZE	L (mm)	L1 (mm)	D (mm)	D1 (mm)	FUSION TIME (secs)	COOLING TIME (mins)	WEIGHT (kg)	BOX QUANTITY
EBKHA180X22.5	180mm x 22.5deg	278	105	213	180	220	20	2.816	2

Fusion Group Limited | Smeckley Wood Close | Chesterfield Trading Estate  
Chesterfield | Derbyshire | S41 9PZ | United Kingdom

UK Sales - T: +44 (0)1246 455998 | F: +44 (0)1246 261785 | e: sales@fusionprovida.com

International Sales - T: +44 (0)1246 268666 | F: +44 (0)1246 268052 | e: international@fusiongroup.com