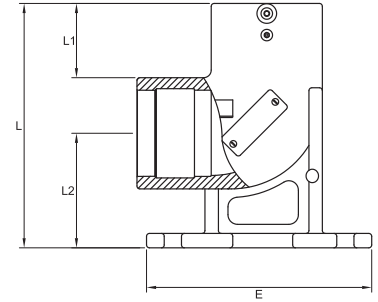


DUCKFOOT BEND

PE100 Black - Water PN16

Base unit: EF bend only



FITTING CODE	FITTING SIZE	L (mm)	L1 (mm)	L2 (mm)	E (mm)	FUSION TIME (secs)	COOLING TIME (mins)	WEIGHT (kg)	BOX QUANTITY
DFBBKHA90X90	90mm x 90deg	257	77	120	232	140	10	2	3
DFBBKHA110X90	110mm x 90deg	257	77	120	232	140	10	2.5	3