

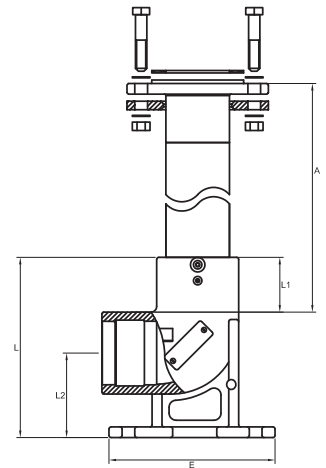
## DUCKFOOT BEND KIT

### PE100 Black - Water PN16

Kit: E/F bend, coupler<sup>1</sup>, spigot reducer<sup>1</sup>, riser, flange gasket, backing ring<sup>2</sup>, bolts<sup>2</sup>, nuts<sup>2</sup>, washers<sup>2</sup>

<sup>1</sup> Spigot reducer and coupler in all kits except 90 x 80NP16

<sup>2</sup> Rilsan coated



FITTING CODE	FITTING SIZE	L (mm)	L1 (mm)	L2 (mm)	A (mm)	E (mm)	FUSION TIME (secs)	COOLING TIME (mins)	WEIGHT (kg)	BOX QUANTITY
DFBBKHA63X80KR	63 x 80NP16	257	77	120	455	232	140	10	7.7	1
DFBBKHA90X80KR	90 x 80NP16	257	77	120	455	232	140	10	7.5	1
DFBBKHA110X80KR	110 x 80NP16	257	77	120	455	232	140	10	8.02	1
DFBBKHA125X80KR	125 x 80NP16	257	77	120	455	232	140	10	8.07	1
DFBBKHA160X80KR	160 x 80NP16	257	77	120	455	232	140	10	8.75	1
DFBBKHA180X80KR	180 x 80NP16	257	77	120	455	232	140	10	9.8	1