

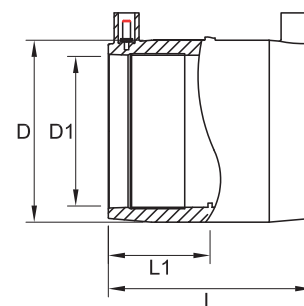
COUPLER WITH EXCESS FLOW VALVE

PE100 Black - Gas
PE80 Yellow - Gas

Excess flow valves are available for a range of flows and pressures (see examples in table below). Please contact the UK or International sales hotlines to discuss your requirements



also available in yellow



FITTING CODE	FITTING SIZE	L (mm)	L1 (mm)	D (mm)	D1 (mm)	FUSION TIME (secs)	COOLING TIME (mins)	WEIGHT (kg)	BOX QUANTITY
C*A20EFV	20mm	77	37.5	29	20	35	3	0.033	80
C*A25EFV	25mm	77	37.5	33.5	25	30	3	0.037	80
C*A32EFV	32mm	77	37.5	43	32	45	3	0.057	75/100

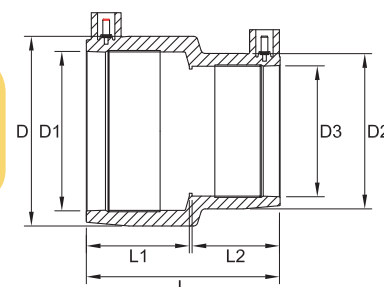
REDUCER WITH EXCESS FLOW VALVE

PE100 Black - Gas
PE80 Yellow - Gas

Excess flow valves are available for a range of flows and pressures (see examples in table below). Please contact the UK or International sales hotlines to discuss your requirements



also available in yellow



FITTING CODE	FITTING SIZE	L (mm)	L1 (mm)	D (mm)	D1 (mm)	L2 (mm)	D2 (mm)	D3 (mm)	FUSION TIME (secs)	COOLING TIME (mins)	WEIGHT (kg)	BOX QUANTITY
R*A25X20EFV	25 x 20mm	77	38.5	34	25	36.5	29	20	35	3	0.035	80
R*A32X20EFV	32 x 20mm	77	38.5	43	32	36.5	29	20	40	3	0.048	75
R*A32X25EFV	32 x 25mm	77	38.5	43	32	36.5	34	25	30	3	0.052	75

Pressure / flow specifications

Type	35mbar	at pressure 75mbar		at pressure 2bar			at maximum pressure 4bar			
	max. nominal flow air (m ³ /h)	max. nominal flow nat. gas (m ³ /h)	trip flow min. (m ³ /h)	trip flow max. (m ³ /h)	max. nominal flow nat. gas (m ³ /h)	trip flow min. (m ³ /h)	trip flow max. (m ³ /h)	nominal flow nat. gas (m ³ /h)	trip flow min. (m ³ /h)	trip flow max. (m ³ /h)
GS25Z	13	17	21	25	28	36	41	37	46	53
GS20Z	7	9	12	13	15	19	22	20	25	29

GS25Z / GS20Z	at minimum pressure 1bar	at maximum pressure 4bar	remarks
Bypass flow rate (approx) with large orifice	0.6 m ³ /h natural gas	1.5 m ³ /h natural gas	Transco requirements

