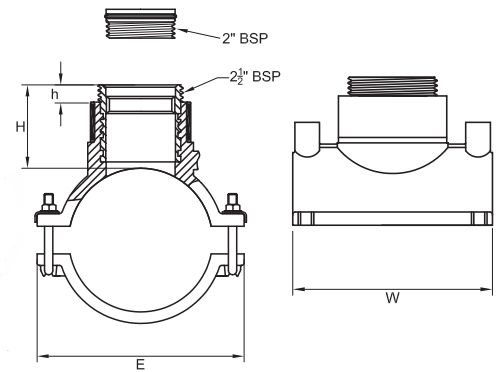


BALLOON SADDLE

PE100 Black - Gas 10 Bar / Water PN16



Red cap protects external thread



FITTING CODE	FITTING SIZE	H (mm)	h (mm)	W (mm)	E (mm)	FUSION TIME (secs)	COOLING TIME (mins)	WEIGHT (kg)	BOX QUANTITY
XBBKHA90X2.5	90mm x 2½"	70	15	118	151	160	10	7.68	10
XBBKHA110X2.5	110mm x 2½"	100	15	118	180	120	10	7.8	8
XBBKHA125X2.5	125mm x 2½"	63	15	165	180	120	10	7.76	8
XBBKHA160X2.5	160mm x 2½"	84	15	215	236	120	10	8.24	2
XBBKHA180X2.5	180mm x 2½"	74	15	215	236	120	10	8.16	2
XBBKHA200X2.5	200mm x 2½"	82	15	165	263	120	10	8.81	3
XBBKHA225X2.5	225mm x 2½"	80	15	165	300	120	10	8.94	2
XBBKHA250X2.5	250mm x 2½"	86	15	165	317	120	10	9.06	2