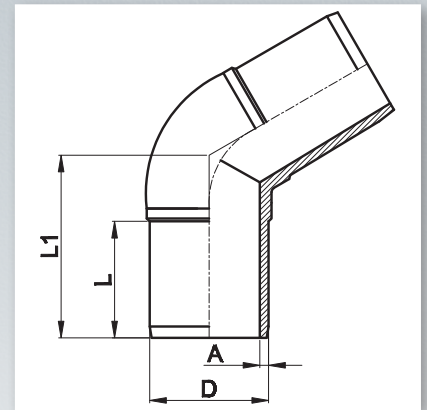


45° Elbow



PE100 | SDR 11 | Water PN 16 | Gas 10 Bar

D (mm)	L (mm)	L1 (mm)	A (mm)	Weight (kg)	Box Quantity
20	41	70	3.0	0.025	60
25	41	75	3.0	0.035	50
32	44	80	3.0	0.055	50
40	49	85	3.7	0.090	32
50	55	90	4.6	0.135	62
63	63	95	5.8	0.219	42
75	70	105	6.8	0.325	30
90	79	120	8.2	0.570	24
110	82	130	10.0	0.965	18
125	87	140	11.4	1.270	12
140	92	150	12.7	1.690	12
160	98	160	14.6	2.365	9
180	105	170	16.4	3.310	4
200	112	185	18.2	4.490	4
225	120	200	20.5	5.920	2
250	129	217	22.7	8.020	2
280	139	238	25.4	11.230	1
315	150	256	28.6	15.000	1



PE100 | SDR 17 | Water PN 10 | Gas 6 Bar

D (mm)	L (mm)	L1 (mm)	A (mm)	Weight (kg)	Box Quantity
50	80	108	3.0	0.090	42
63	63	95	3.8	0.180	42
75	70	105	4.5	0.240	30
90	79	120	5.4	0.415	24
110	82	130	6.6	0.680	18
125	87	140	7.4	0.900	12
140	92	150	8.3	1.160	12
160	98	160	9.5	1.750	9
180	105	170	10.7	2.330	4
200	112	185	11.9	3.190	4
225	120	200	13.4	4.220	2
250	129	217	14.8	5.800	2
280	139	238	16.6	8.040	1
315	150	256	18.7	11.000	1

Every effort has been made to ensure the information in this brochure is correct at the date of issue. Fusion operates a policy of continuous product improvement and range extension and, therefore, reserves the right to modify product specifications in line with market requirements.